

WOOD CHIPS

November 2001

Next meeting Nov. 12, 7:00 PM at Consolidated Lumber located off I-35 West on 67th Street in Merriam Kansas--www.kcwoodturners.org



Kansas City
Woodturners
Club
Local Chapter of
The American
Association of
Woodturners

Officers:

President
Dick Woodhouse
(913) 851-5917

Vice President:
Alex Garcia
(816) 697-2982

Treasurer:
Don Gruis
(816) 763-3385

Secretary:
Jerry Darter
(816) 363-2658

Advisor:
John Shackelford
(913) 583-3303

Librarians:
Dick Smith
(913) 341-4613
Pete Stiglich
(913) 342-9133

Camera:
Don Grimes
(913) 962-2060

LAST MONTHS PROGRAM

Eddie Powers did an outstanding job with the auction, raising \$2,468.50 for the clubs treasury. This would not have been possible without the generous support of our club members and the following commercial sponsors. Home Depot-Dewalt Industrial-Strasser Hardware-Overland Tool-Metro Supply-Packard Woodworks Inc.-The cutting edge inc-Sharp Tools USA(Farris)-Rockcreek Turnings-Woodcraft-Paxton Lumber-and the Heartwood Company. Donations included tools, equip., wood and instructional classes donated by both Russ Blaser and Danny Moreno.

NOVEMBER PROGRAM-2001

Here is the program you don't want to miss. Kevin Neeley who is nationally known for his outstanding work with segmented vessels will demonstrate his method of cutting the small wooden pieces that make up his vessels.

DECEMBER PROGRAM

Returning by popular demand this year will be a Christmas program similar to last years. President Woodhouse will give us the details at the Nov. meeting.

SHOW AND TELL

Show and tell will resume at the Nov. meeting

ELECTION OF OFFICERS

New officers will be elected at the Nov. meeting. If you can't be present, well then congratulations on your new position on the board.

. SET-UP—CLEAN UP

Kenny Gorseline

Don Grimes

If you can't do this you need to find someone to take your place.

REFRESHMENTS

Merle Schneck

SATURDAY WORKSHOP

On the fourth Saturday of each month from 8:30am to noon at Consolidated Lumber you can use the club's lathes to improve your turning skills. Knowledgeable club members will be available to answer your questions and assist you in learning new work methods.

JOB OPPORTUNITY

Paxton Lumber has a position available in retail sales at their St. John location. Anyone interested can call Rick at 816-483-0659.

MEMBER NEWS

-President Woodhouse announced that long time club member Ron McCreash had recently passed away. We all extend our sympathy to Ron's family.

-Danny Moreno has recently decided to live the American dream and is opening his own woodworking store north of the river. We will report its location next month. Good luck Danny-

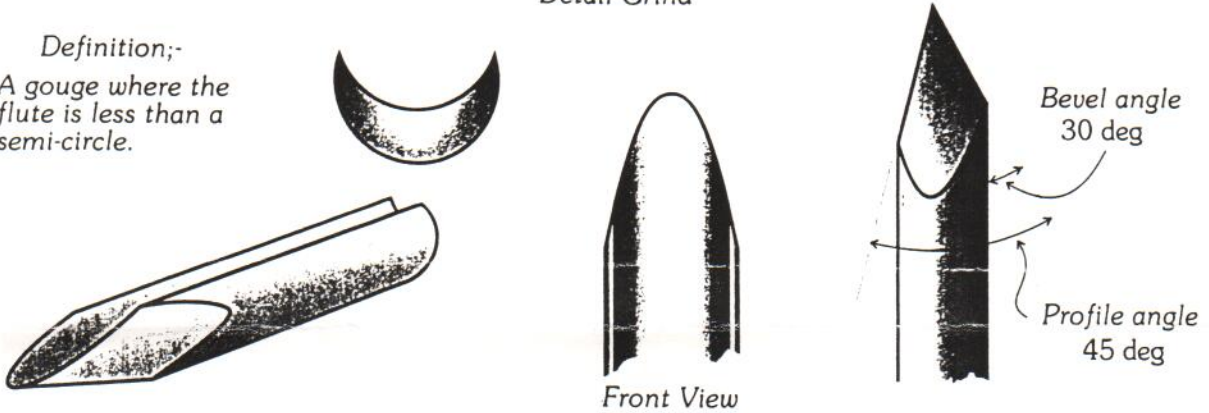
WOODTURNING

TOOLS OF THE TRADE - GOUGES

SHALLOW FLUTED GOUGE

Detail Grind

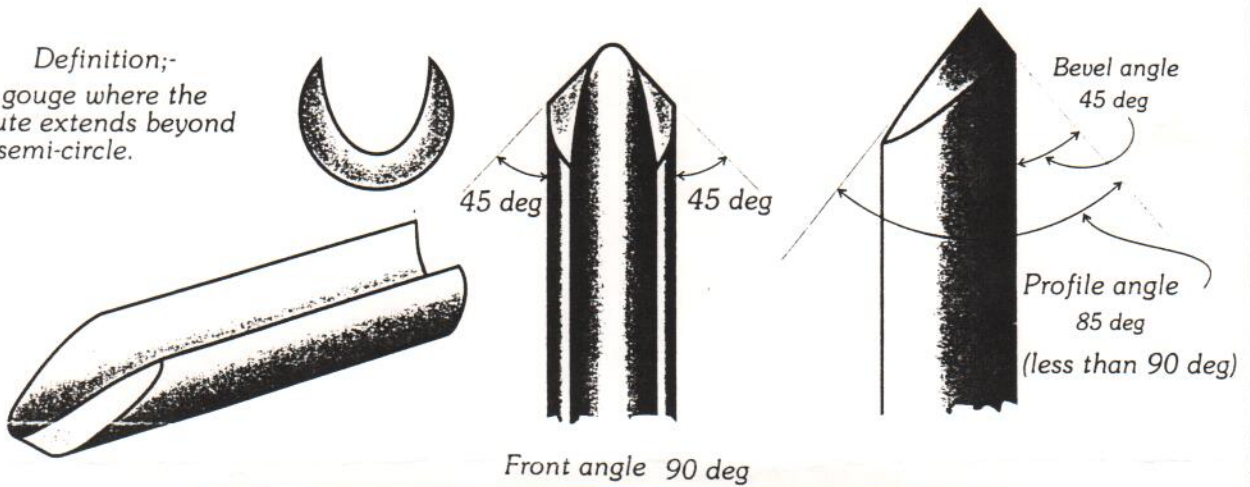
Definition;-
A gouge where the
flute is less than a
semi-circle.



DEEP FLUTED GOUGE

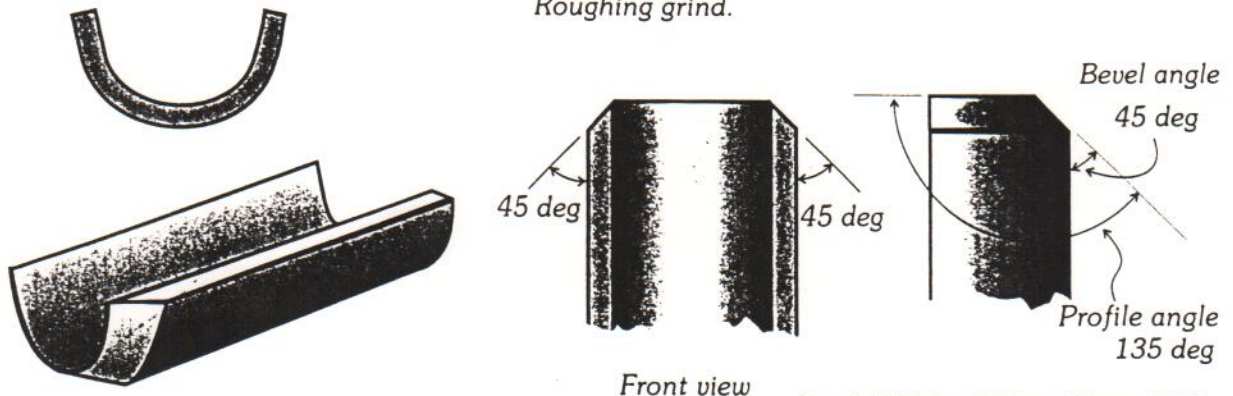
(The "O'Donnell Grind")

Definition;-
A gouge where the
flute extends beyond
a semi-circle.



SPINDLE ROUGHING GOUGE.

Roughing grind.



Front view

Copyright Michael O'Donnell August 1994

WOODTURNING TOOLS OF THE TRADE

SKEW CHISEL

Rectangular section



Oval section



Round all corners for a smooth slide on the rest

Straight edge

Skew angle 60 deg

Curved edge

Average skew angle 60 deg

Profile angle 30 deg

Bevel angles 15 deg

Rectangular section



Round bottom corners for a smooth slide on the rest

PARTING TOOL

Fluted on the corner of the grindstone

View 'A-A'

1/8"

Bevel angles 45 deg

Rectangular section



Round all corners for a smooth slide on the rest

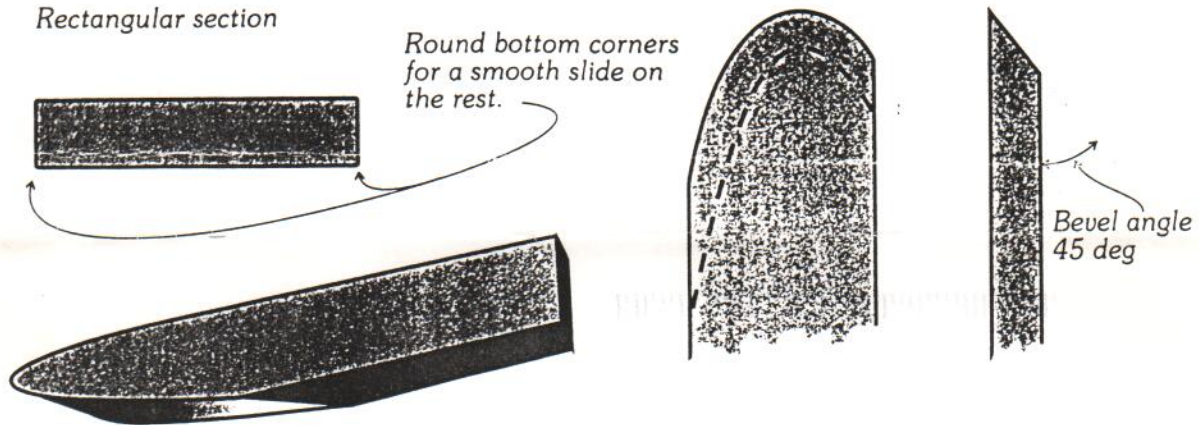
SIZING TOOL

1/8" to 3/16"

Bevel angles 45 - 30 deg

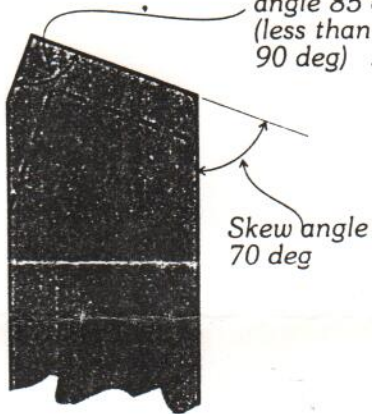
TOOLS OF THE TRADE - SCRAPERS

LEFT HAND CURVED, SIDE CUT SCRAPER



OTHER USEFUL SCRAPER SHAPES

Left skew square side cut scraper



Right hand skew scraper



Opposite handed scrapers also useful

Half round scraper



Slightly domed scraper



Recommended handle lengths	
Scraper width	handle Length
2"	24"
1 1/2"	18"
1"	14"
3/4"	12"
1/2"	10"
1/4"	9"